

ATS-33

Automatic Transfer Switch (ATS) Controller for Dual Gensets

User-friendly touch switches & LED display design

Features

- Micro-processor based & full glass panel design
- Smart m-Touch touch sensing design
- Compact size with user-friendly LED display
- Capacitive touch key programming & operation *1
- Program settings are Auto-saved into memory and will remain saved even when power is disconnected
- Provides 3 or 1 phase voltage & frequency monitoring & protection for both generators source
- Transfer fail and start fail with dry contact alarm output
- Optional Modbus / Ethernet remote communication functions
- Free APP for monitor and operate ATS & genset directly from smart phone
- Programmable duty time for each generator
- Specifically developed for telecommunication industry

*1 All operation can be done directly on touch panel or from PC connection.



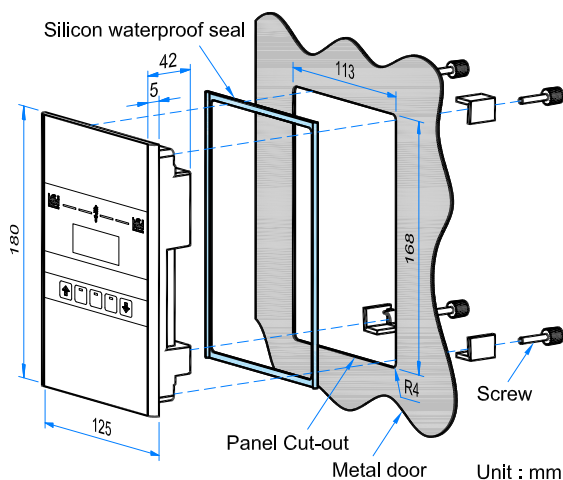
User-Friendly 7 Segment & Status LED Display

- Programmable display with 3 phase voltage & frequency
- Programmable display duty time
- Engine warm-up and cooling real time countdown display
- Internal program settings & status display
- Display Auto/OFF/Bypass status
- Over/Under voltage & frequency alarm (both generators)
- Display real time power loop

Full Phase Voltage & Frequency Monitoring

Over Voltage Adjustable Range	110 to 500 Vac
Under Voltage Adjustable Range	80 to 470 Vac
Over Frequency Adjustable Range	51 to 70 Hz
Under Frequency Adjustable Range	45 to 59 Hz

Dimensions



Specifications

DC Power Supply Voltage	8 to 40 Vdc
AC Voltage Input	50 to 500 Vac
Frequency	50/60 Hz
Remote Start Contact	7A @ 250 Vac Max.
G1 ON Contact	7A @ 250 Vac Max.
G2 ON Contact	7A @ 250 Vac Max.
Alarm Output Contact	7A @ 250 Vac Max.

Adjustable Timers

Duty Time for Genset-1	1 to 999 hours
Duty Time for Genset-2	1 to 999 hours
Time Delay From G1 to G2	0 to 250 seconds
Time Delay From G2 to G1	0 to 250 seconds
Engine Cooling Time for Both Gensets	0 to 250 seconds
Time Delay Center OFF	0 to 99 seconds

Environment

Operating Temperature	-20 to +60 °C
Storage Temperature	-30 to +80 °C
Relative Humidity	Max. 90%

Physical Specifications

Panel Cut-Out	168.0 x 113.0 +/-0.5 mm
Dimensions	180.0 (L) x 125.0 (W) x 42.0 (H) mm
Weight	495 g +/-2%

